

## INSTALLATION AND ASSEMBLY INSTRUCTIONS

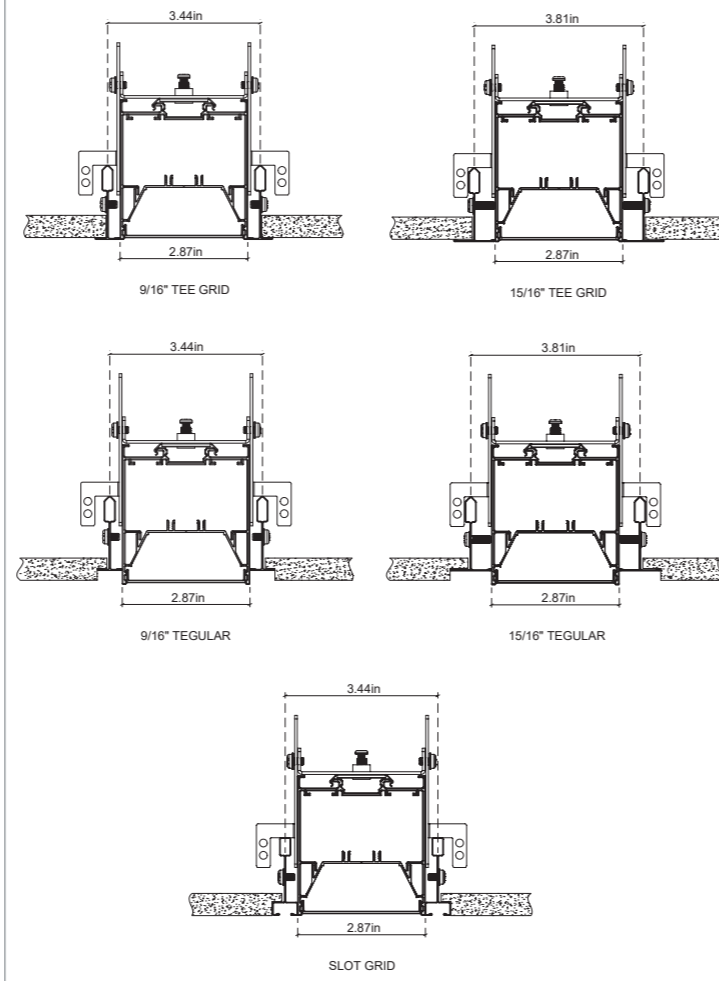
### BX-2 / BX-3 RECESSED T-GRID

www.techoled.com | Brooklyn NY

**WARNING:** Failure to follow instructions could result in damage to product and void warranties!  
**WARNING:** Risk of fire or electrical shock. Disconnect power before installing or servicing.  
**WARNING:** Verify the existing input voltage and ensure it matches input rating on luminaire's product label, located on inside of access cover.  
**WARNING:** Before proceeding, read all instructions carefully to ensure proper and safe installation.  
**IMPORTANT:** This product must be installed in accordance with the applicable installation code by a licensed electrician, familiar with the construction and operation of the product and the hazards involved.

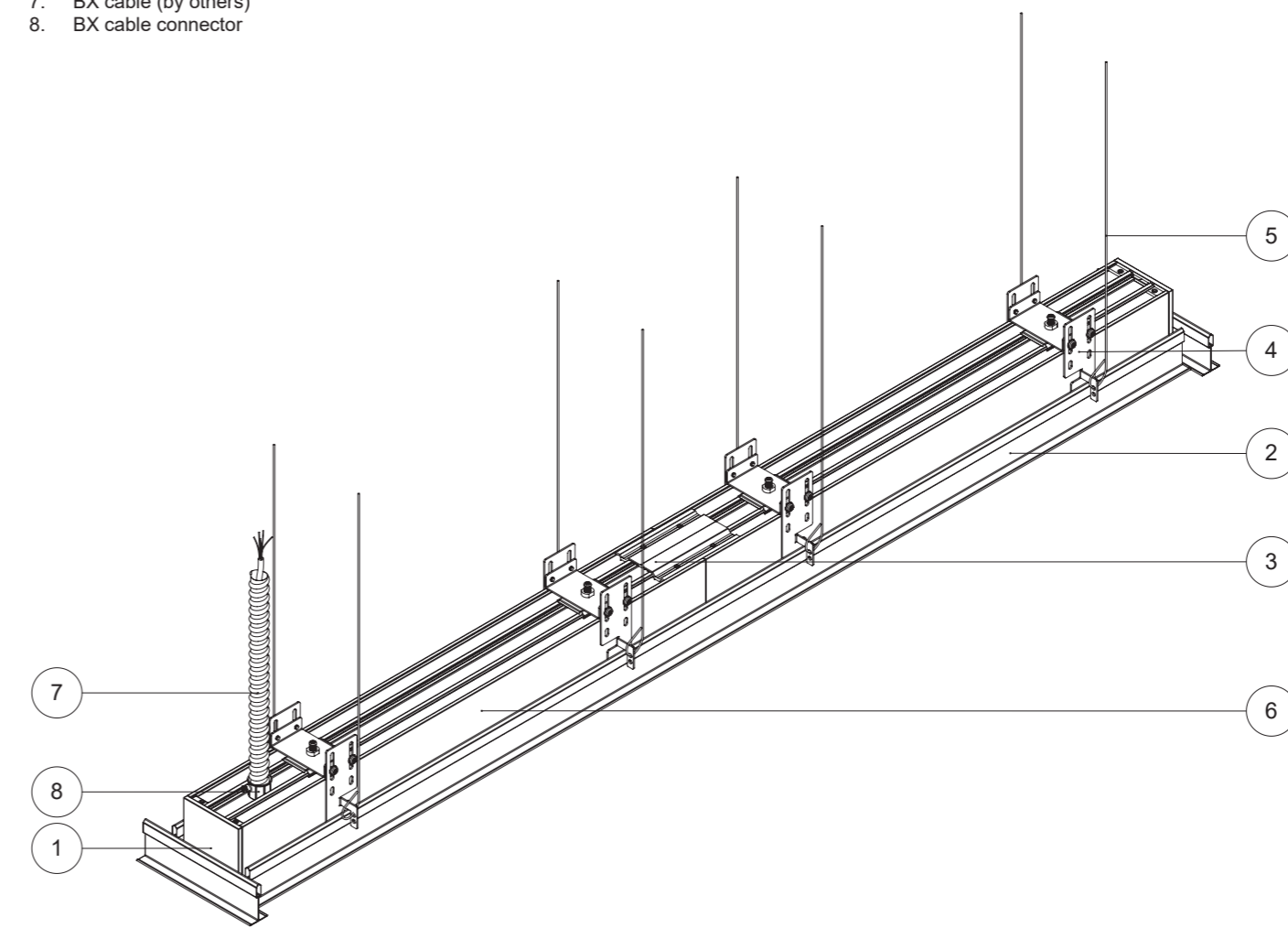
If you have questions or concerns, please reach out to TechoLED at 212-876-5373 or info@techoled.com we are here to help!

#### RECESSED - GRID CROSS SECTION VIEW



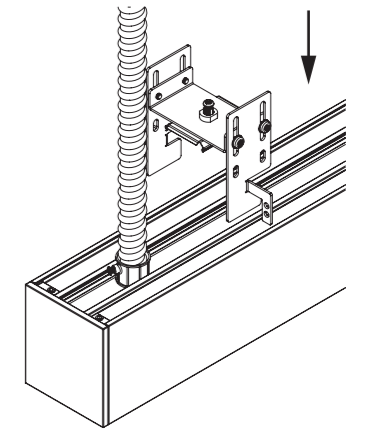
#### RECESSED - GRID

1. End cap
2. Ceiling Grid
3. Connector
4. T-Grid bracket
5. Safety cable (by others)
6. Extrusion
7. BX cable (by others)
8. BX cable connector

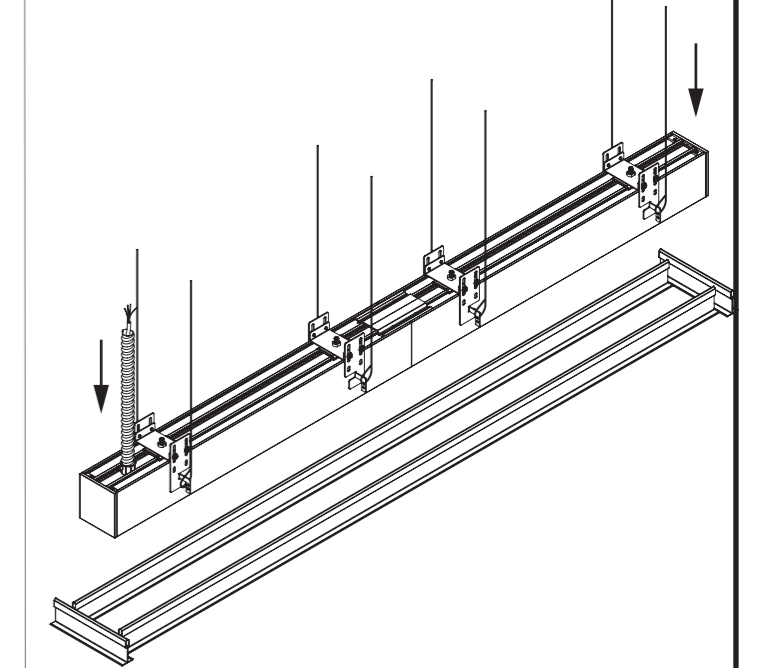


#### RECESSED - GRID

1. Before placing the fixture in the grid, snap the brackets onto the extrusion

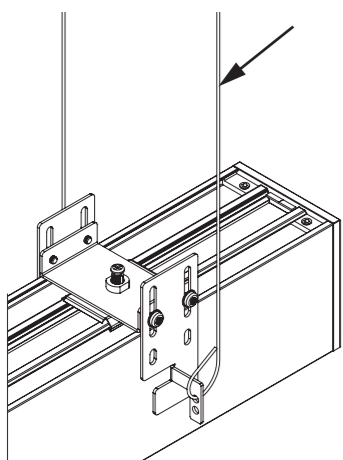


2. Place the fixture into the grid in the ceiling, making sure that the brackets are positioned correctly and are resting on the grid.

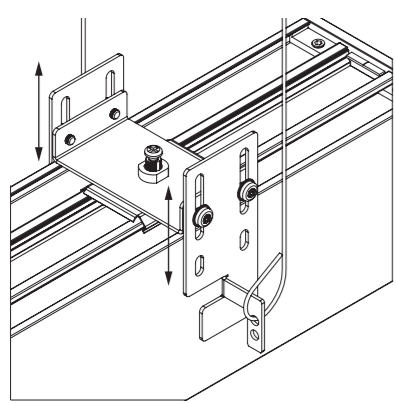


#### RECESSED - GRID

3. Secure the brackets to the building structure using tie wire (provided by others).

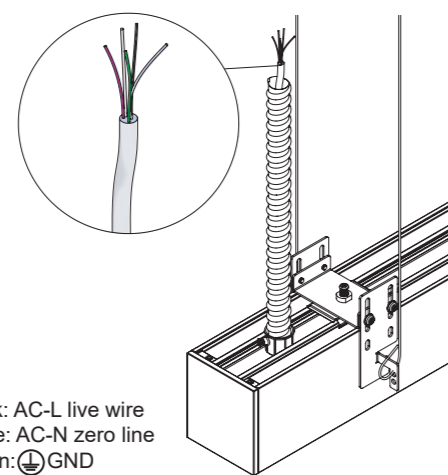


4. You can adjust the height of the bracket using the screws on the side.



#### RECESSED - GRID

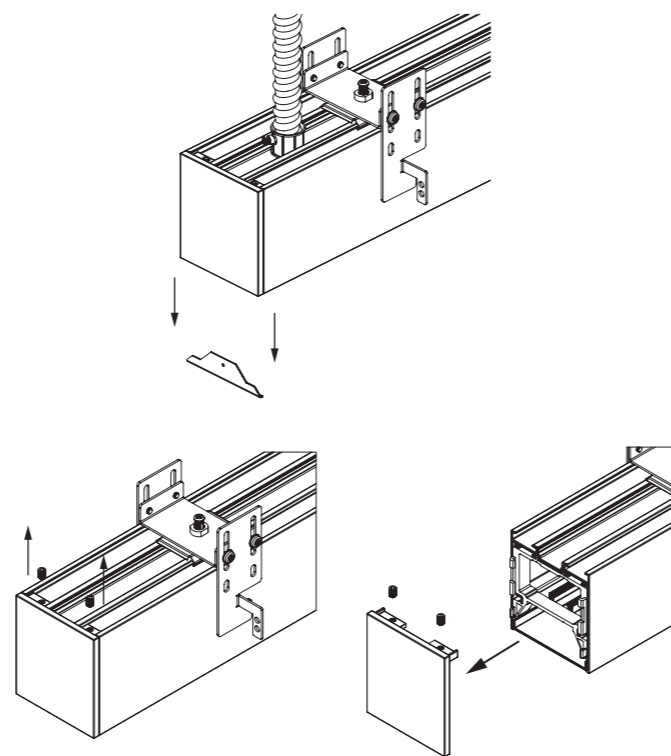
5. Connect to power according to wiring diagram.



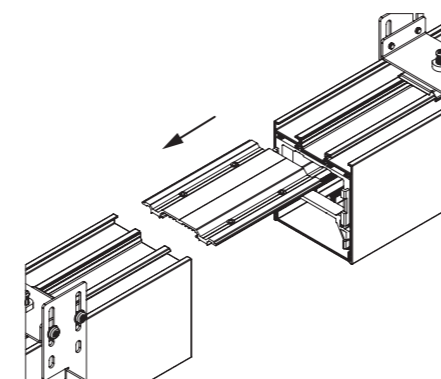
Black: AC-L live wire  
 White: AC-N zero line  
 Green: GND  
 Purple: dimming wire (+)  
 Grey: dimming wire (-)  
 It is not necessary to connect the purple and grey wires if dimming is not required.

#### CONTINUOUS RUN ASSEMBLY

1. Remove End-caps

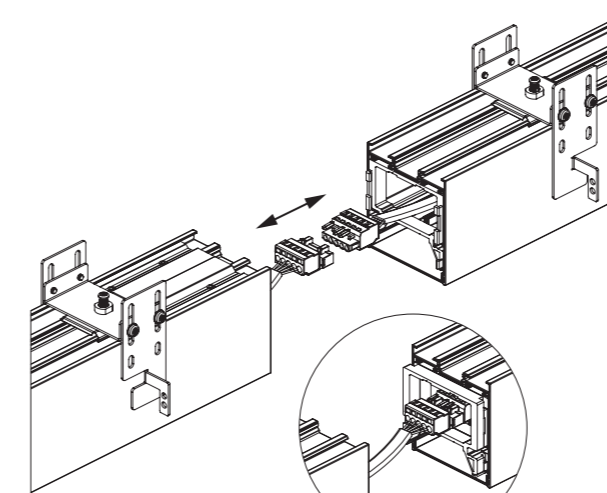


2. Slide the connector into the profile.



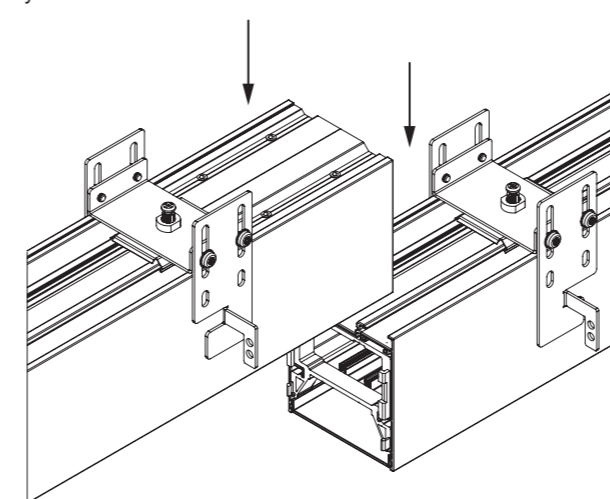
#### CONTINUOUS RUN ASSEMBLY

3. Before connecting the two fixtures, you must connect the wiring harness.



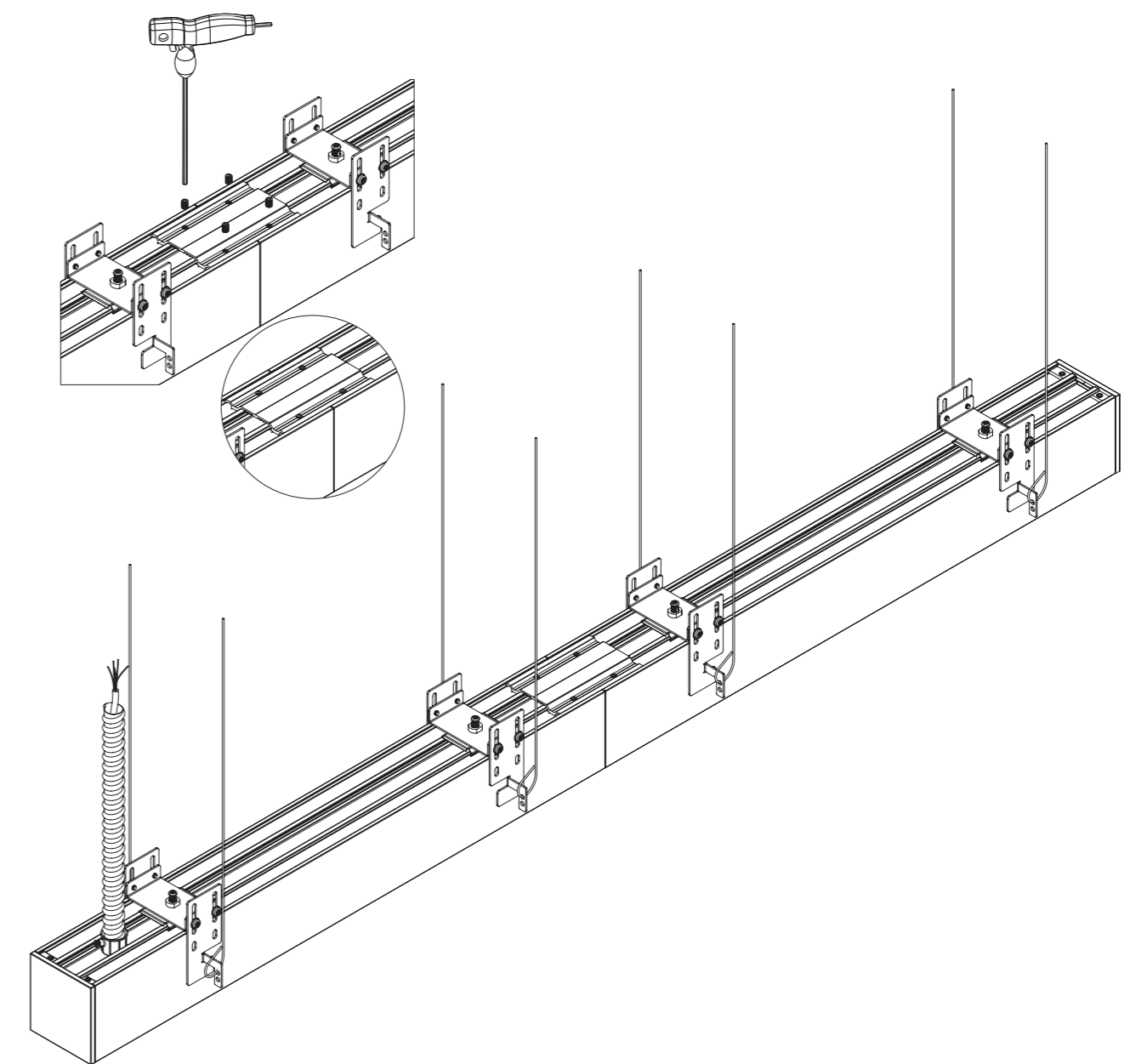
- 3a. Push the connector into the extrusion before you connect it.

4. Align the first fixture above the second and slide it downward until they are fully seated.



#### CONTINUOUS RUN ASSEMBLY

5. Tighten the screws.



www.techoled.com | Brooklyn NY