

techoLED

INSTALLATION AND ASSEMBLY INSTRUCTIONS

DL-S-6

WARNING: Failure to follow instructions could result in damage to product and void warranties!

WARNING: Risk of fire or electrical shock. Disconnect power before installing or servicing.

WARNING: Verify the existing input voltage and ensure it matches input rating on luminaire's product label, located on inside of access cover.

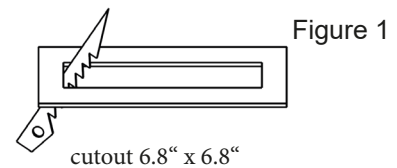
WARNING: Before proceeding, read all instructions carefully to ensure proper and safe installation.

IMPORTANT: This product must be installed in accordance with the applicable installation code by persons familiar

with the construction and operation of the product and the hazards involved.

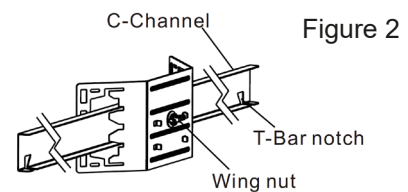
STEP 1 :

Mark the intended location of the luminaire and cut appropriate opening in the ceiling (Figure 1)



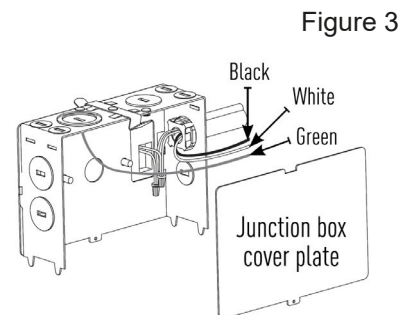
STEP 2 :

Universal mounting bracket has slot openings for C-channel. Mounting bracket includes a wing nut to adjust fixture to accommodate different ceiling thickness or ceiling construction (Figure 2)



STEP 3 :

Remove one of the junction box covers and bring in appropriate power supply to the junction box using one of the knock-outs. Connect black wire from fixture to black (HOT) supply wire, white wire from fixture to white (NEUTRAL) supply wire and connect the ground from fixture to green (GROUND) supply wire. Use UL listed connectors or wire nuts to make the connections (not included). Ensure all wires and connections are contained in junction box then close and lock door (Figure 3)



STEP 4 :

Push the trim with the lamp inside of the housing until the trim fringe is flush with the ceiling, which is secured by the spring clips around the trim (Figure 4)

