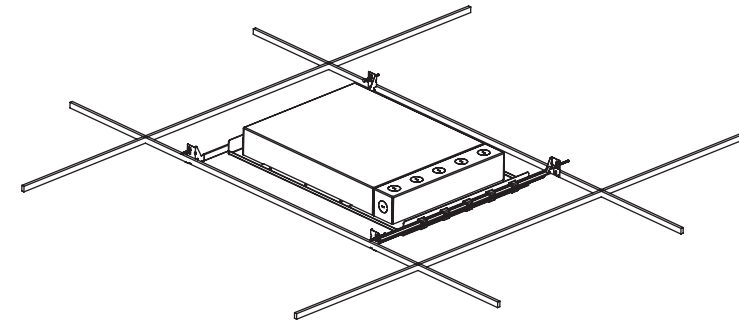


**WARNING:** Failure to follow instructions could result in damage to product and void warranties!  
**WARNING:** Risk of fire or electrical shock. Disconnect power before installing or servicing.  
**WARNING:** Verify the existing input voltage and ensure it matches input rating on luminaire's product label, located on inside of access cover.  
**WARNING:** Before proceeding, read all instructions carefully to ensure proper and safe installation.  
**IMPORTANT:** This product must be installed in accordance with the applicable installation code by a licensed electrician, familiar with the construction and operation of the product and the hazards involved.

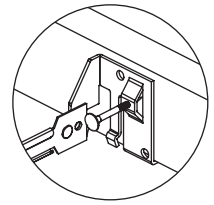
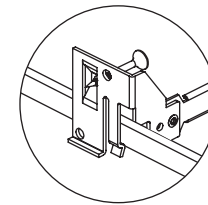
## RECESSED

1. Spread hanger bars to appropriate distance. Secure the fixture in desired position with locking-screw

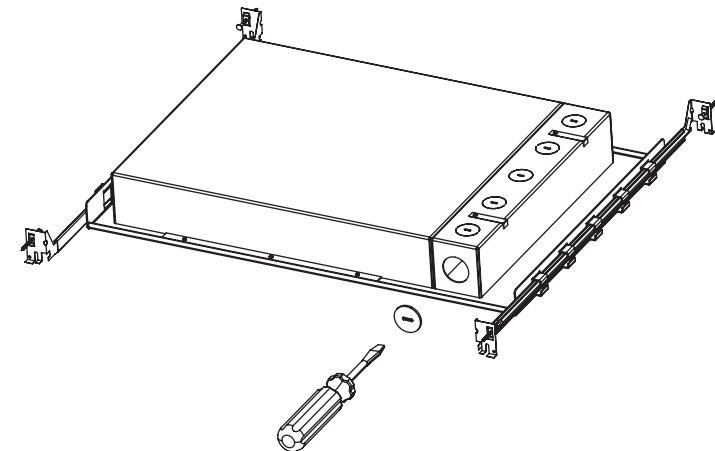


t-bar

wood



2. Remove knock-outs where needed with screwdriver

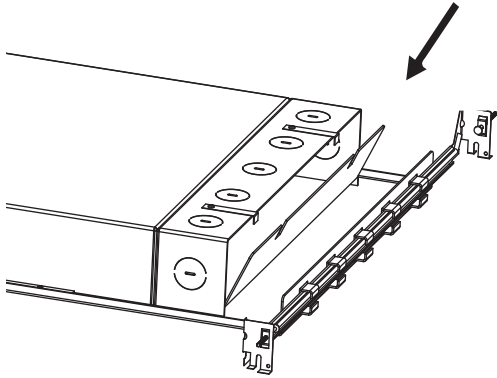


## INSTALLATION AND ASSEMBLY INSTRUCTIONS

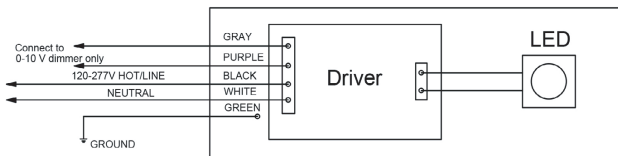
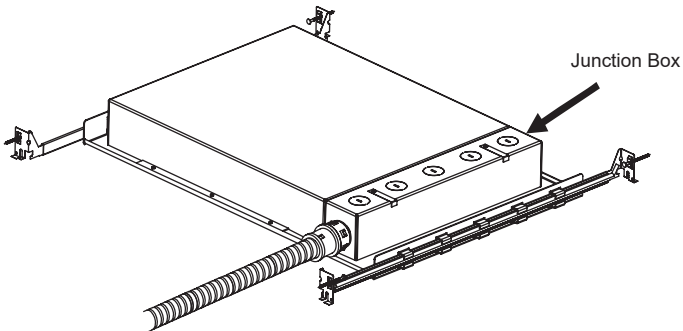
### SD-R-3 Series SD-S-3 Series

**RECESSED**

3. Remove cover of the junction box to get access to the wires



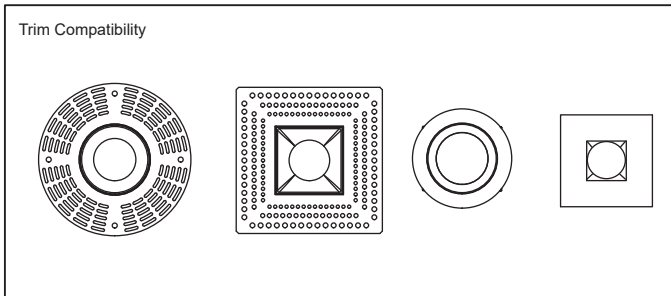
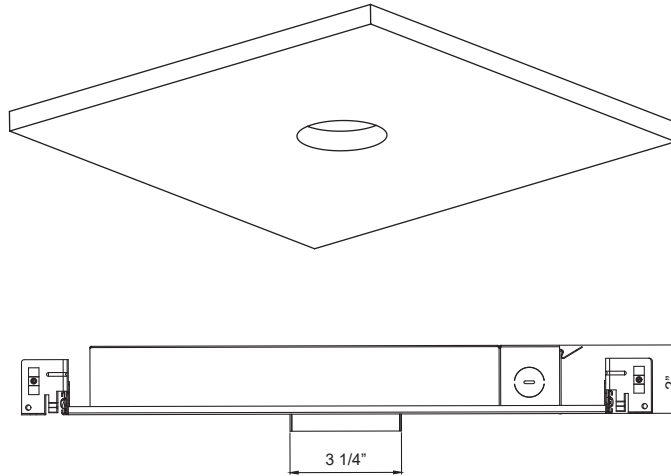
4. Install conduit connector (by others). Connect supply wires as indicated in the wiring diagram.



**RECESSED**

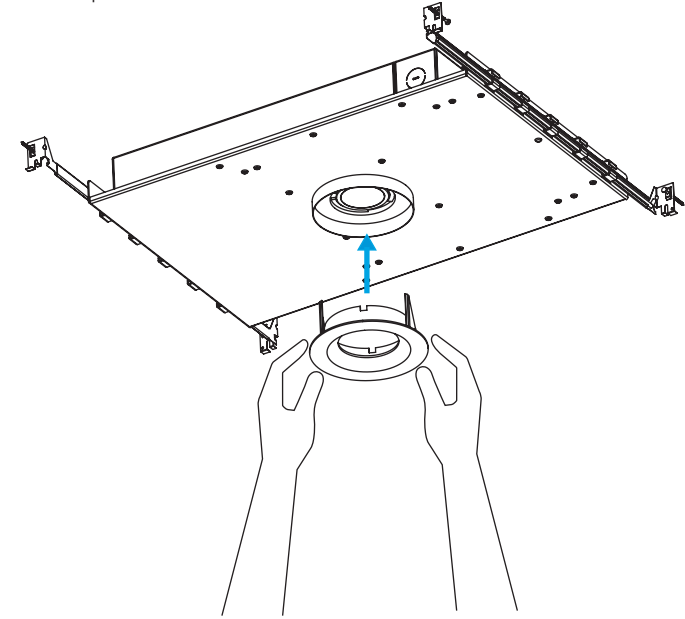
5. Install drywall with provided cardboard cutout

Dia. cut out 3 3/4"



**RECESSED**

6. Push up the trim into the collar.



7. Complete

